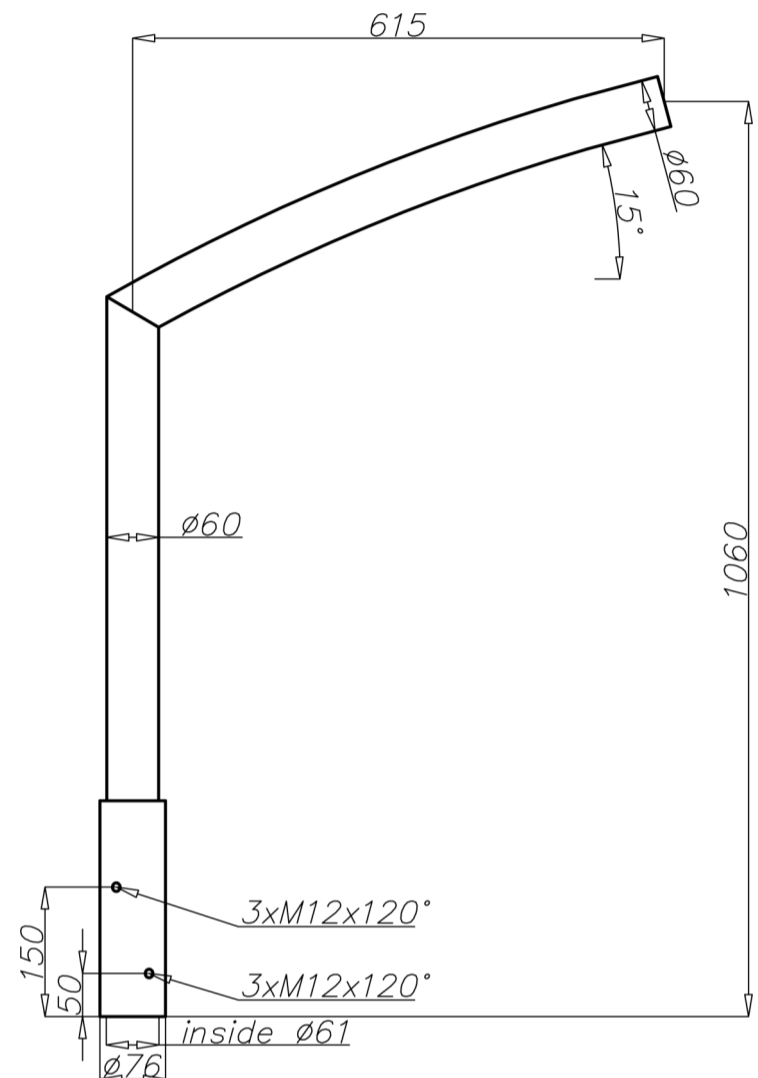


# Aluminium extension arm WR-5A/1



## Technical data

Extension arm	WR-5A/1
Product code	472501
Application	aluminium columns with ending $\varnothing 60 \times 180$
Arm quantity	1
Net weight [kg]	3,0
Windage [m <sup>2</sup> ]	0,093
Volume [m <sup>3</sup> ]	0,042
Assembling diameter of luminaire [mm]	$\varnothing 60 \times 100$
Compatible luminaires	street luminaires

- anodising in 10 colours, each with possibility of brightening
- option of powder painting in RAL colours (other colours available on request)
- packing: sleeve material
- CE certificate valid for use on poles manufactured by ROSA company